



[www.insize.com](http://www.insize.com)

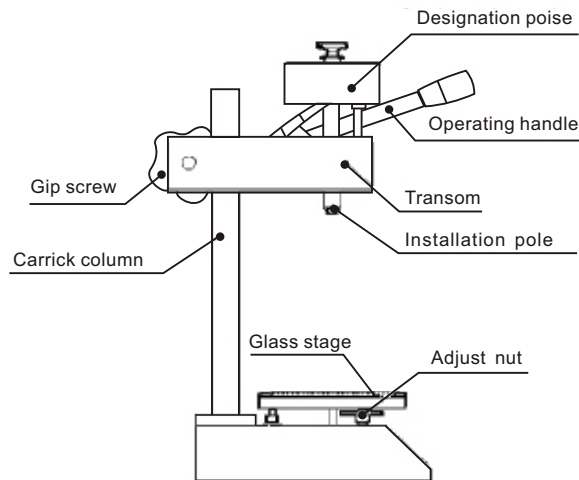


**OPERATION MANUAL**  
**Model ISH-STAC**  
**Shore Durometer Test Stand**



## Instruction

The ISH-STAC Shore Durometer Test Stand is R&D for ISH-SA and ISH-SC Shore durometer. Upper the test stand collocates with special designation poise for testing the hardness of various rubber, foam, elastomers, plastic products, sponge and so on.



The Test Stand construction includes operating handle, regulable glass stage, designation poise, transom, Gip screw, and carrick column. After adjustment the value will be more accurately.

## Operation

1. Fix the shore A/C durometer on the test stand.
2. Adjust the Gip screw to make the transom in a suitable position.  
**Please note: because the poise is heavy, hold it with hand in order to prevent durometer cracking the glass stage.**
3. When durometer's plane on the bottom of press head touch the surface of glass stage completely. Turn two adjustable nuts to suitable position where there is no clearance between durometer's plane and glass stage in front and back direction via eyeballing. Then turn one nut to make there is no clearance between durometer's plane and glass stage in left and right direction.
4. Loose the screw on up-right, and turn around the dial make the needle to 100, loose the operating handle and press it again, the needle should point to 100, if the needle isn't in 100. Please adjust the screw on the working table.
5. Place the test sample on glass stage and drive handle; Under the weight of designation poise, durometer's plane touch with the test sample completely. At this time, the value is showed on durometer is the Shore hardness of the test sample.

## Maintenance

Please clean the test stand after use it. If there are something wrong without man lead, our company promise: our product shave one year free repair, and lifelong technique support.